

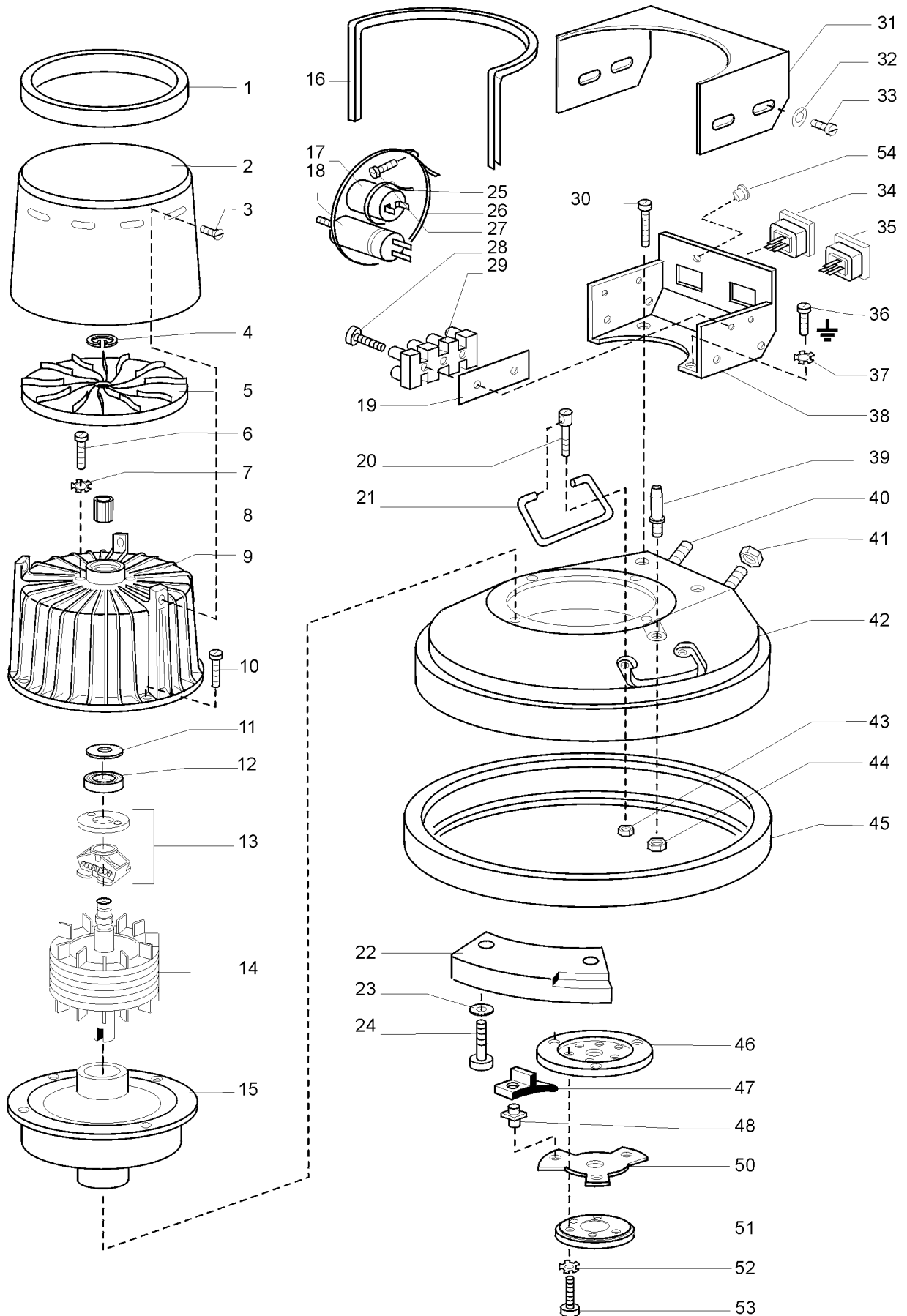
MODELS	135S	145SH	155S
1 grinding machine complete	112 455 000	112 560 000	112 750 000
2 machine body	112 455 001	112 560 001	112 750 001
3 guide bar complete	112 750 100	112 750 100	112 750 100
4 guide tube complete	112 750 150	112 750 150	112 750 150
5 frame with wheels co.	112 750 160	112 750 160	112 750 160
6 switch box complete	112 750 110	112 750 110	112 750 110

Columbus Model 145 SH

230 Volt - 112 560 000
120 Volt - 112 560 600

2 Machine body

230 Volt - 112 560 001
120 Volt - 112 560 601



Columbus Model 145 SH

230 Volt - 112 560 000
120 Volt - 112 560 600

2 Machine body

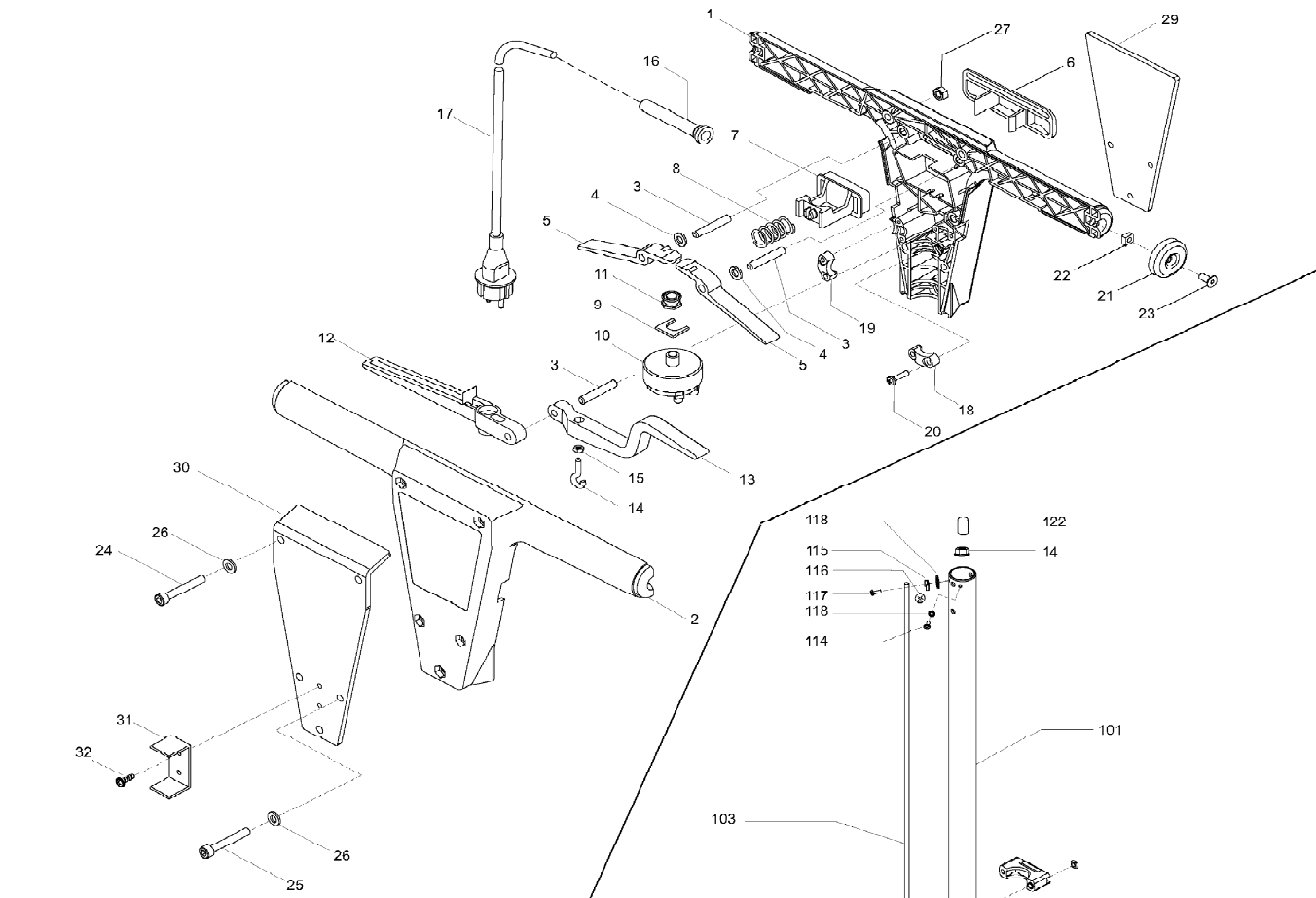
230 Volt - 112 560 001
120 Volt - 112 560 601

Pos	Order-No	Description	Pcs
1	112 400 001	Safety ring	1
2	112 560 004	Safety cover, silver	1
3	006 805 010	Screw M5x10	3
4	017 000 101	Safety ring I 10x1	1
5	112 550 151	Cooling fan	1
6	000 304 016	Screw M4x16	2
7	017 410 004	Lock washer J4,3	2
8	112 550 062	Ring BN12x12	1
9		Motor housing with stator	1
	112 560 060	230V/50Hz	
	112 560 660	120V/60Hz	
10	000 305 035	Screw M5x35	4
11	112 400 140	Washer	1
12	050 204 008	Bearing 6001 2RS	1
13	112 700 008	Centrifugal switch	1
14	112 550 061	Rotor	1
15	112 560 050	Planetary gear 3PL	1
16	112 750 017	Gasket	1
17		Capacitor	1
	112 700 020	230V/50Hz - 30 μ F	
	112 500 607	120V/60Hz - 100 μ F	
18		Starting condenser	1
	112 500 030	230V/50Hz - 120 μ F	
	112 500 700	120V/60Hz - 500 μ F	
19	112 750 016	Terminal isolation	1
20	112 400 065	Bolt for handle	2
21	112 400 064	Carrying handle	2
22	112 400 133	Counterweight	1
23	014 600 061	Washer A 6,4	2
24	004 006 025	Screw M6x25	2
25	112 700 013	Cable strip	1
26	112 750 022	Strip	1
27	006 804 008	Screw M4x8	1
28	006 803 016	Screw M3x16	2
29	112 500 013	Terminal 4-pol	1
30	006 805 010	Screw CM5x10	2
31	112 750 005	Switch box, upper part, blue	1
32	014 600 041	Washer A 4,3	4
33	006 804 008	Screw M4x8	4
34	112 550 004	Socket 10A	1
35	112 550 012	Plug	1
36	006 804 006	Screw M4x6	1
37	017 410 004	Lock washer J4,3	1
38	112 750 006	Switch box, lower part, blue	1
39	112 400 067	Hose sleeve	1
40	004 608 050	Screw M8x50	2
41	013 700 008	Hex. nut M8	2
42	112 400 056	Housing	1
43	012 300 006	Hex. nut M6 STOPP	4
44	112 400 068	Hex. nut M12x1	1
45	112 400 030	Bumper	1
46	112 400 046	Intermediate ring	1
47	112 300 021	Rubber piece	3
48	112 400 069	Catch bolt	3
50	112 200 014	Segment ring	1
51	112 300 022	Centring ring	1
52	017 410 006	Lock washer J6,4	3
53	006 706 020	Screw M6x20	3
54	112 500 011	Closure	1

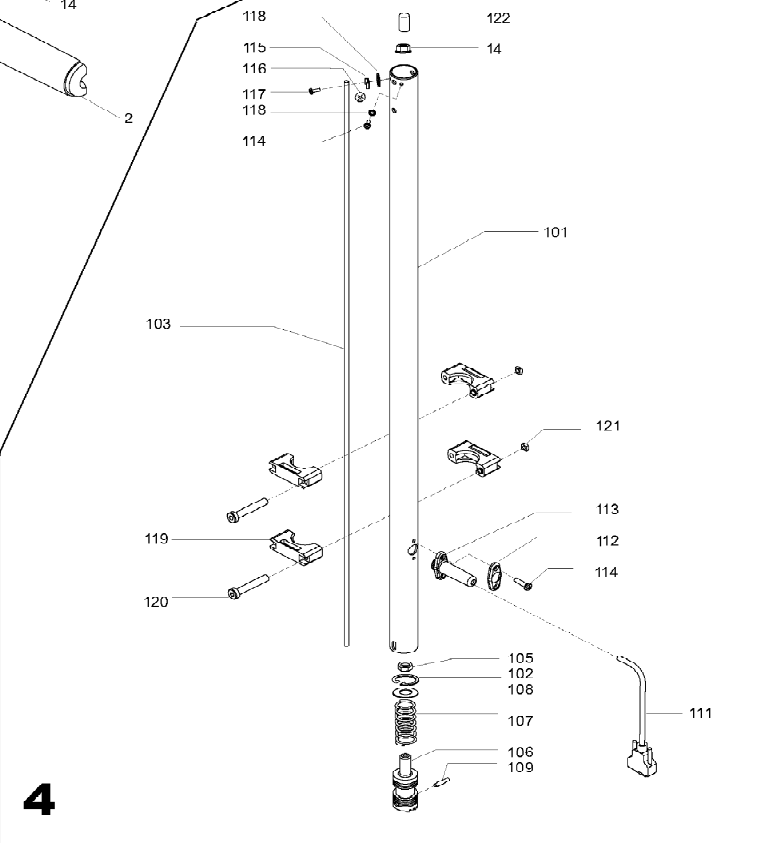
MOD. 135SH 145SH 155S

Art.-Nr. 112 455 000 112 560 000 112 750 000
up Manr 104284 104880 12316

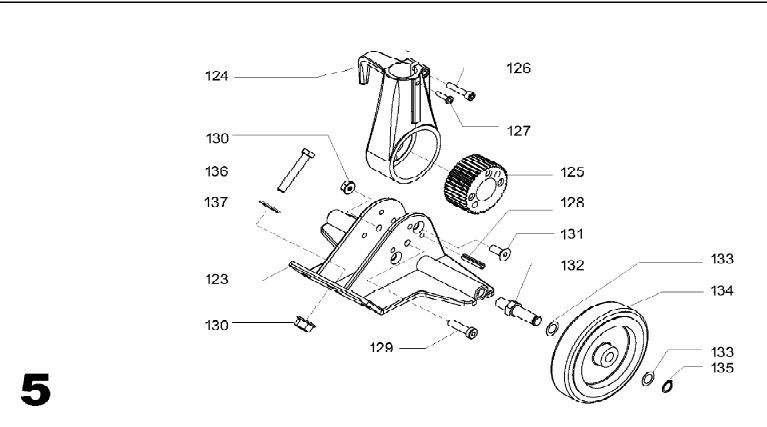
3 Handle with support compl. 112 750 100



6



4



5

MOD. 135SH 145SH 155S

Art.-Nr.	112 455 000	112 560 000	112 750 000
up Manr	104284	104880	12316

3	Handle with support compl.	112 750 100
---	----------------------------	-------------

Pos	Order-No	Description	pcs
001	112750111	handle lower, blue	1
002	112750112	handle upper, blue	1
003	020106036	parallel pin 6m6x36	3
004	014600061	washer A 6,4	2
005	112750113	connection lever	2
006	112750114	pression plate, blue	1
007	112750115	push button, blue	1
008	112400121	tension spring	1
009	112750116	fixing	1
010	112750117	switch	1
011	112400120	rubber cap	1
012	112750118	position lever	1
013	112750119	water lever	1
014	002304015	lifting eye bolt M4x15	1
015	011700004	hexagon nut M 4	1
016	112400057	Cable sleeve	1
017	112400038	Cable with plug	1
018	112400148	clamp, big	1
019	112700032	clamp, small	1
020	006405005	round-head tapping screw M 4,2*16	4
021	112750120	cover lid	2
022	010800005	square nut M 5	2
023	005505012	countersunk-head screw M5*12	2
024	006706070	cylinder-head screw M6*70	3
025	006706055	cylinder-head screw M6*55	3
026	112400008	electrical safety ring	6
027	011500006	hexagon nut M 6	6
029	112750121	tin plate, lower	1
030	112750122	tin plate, upper	1
031	112750123	tool holder	1
032	008412305	special screw EJOT Kb 30*6	2
101	112750151	tube	1
102	017000261	retaining ring D=26*1,2	1
103	112400101	tension bar	1
104	012300005	hexagon nut, self locking	1
105	011500005	hexagon nut M 5	1
106	112700028	catch	1
107	112200018	tension spring	1
108	112400104	washer 15x25x1 (F)	1
109	022004020	spring type pin D= 4*20	1
110	004006025	cylinder-head screw M6*25	1
111	112700124	Connection with plug (F)	1
112	112200039	flange	1
113	112400058	cable sleeve with flange	1
114	006804010	raised-head screw M4*10	6
115	112400108	gripping bow	1
116	112700029	earth sign	1
117	006804010	raised-head screw M4*10	2
118	017410004	antiturn washer J 4,	1
119	112400040	tank holder	4
120	004005045	cylinder-head screw M5*45	4
121	010800005	square nut M 5	6
122	112750152	silicone tube L=15 mm	1

MOD. 135SH 145SH 155SArt.-Nr. 112 455 000 112 560 000 112 750 000
up Manr 104284 104880 12316**3 Handle with support compl.****112 750 100**

Pos	Order-No	Description	pcs
123	112750153	support	1
124	112750161	catch	1
125	112400091	gearwheel	1
126	004006030	cylinder-head screw M6*30	1
127	008111609	special screw M5x12	1
128	022006036	Clamp sleeve D = 6*36	3
129	006708055	cylinder-head screw M8*55	1
130	013700008	hexagon nut M 8	2
131	007208025	countersunk-head screw	2
132	112400088	bolt for roller wheel	2
133	015501204	shim ring 12*18*0,5	4
134	112700105	wheel D=125mm for Columbus	2
135	016900121	retaining ring D=12*1,0	2
136	004008025	cylinder-head screw M8*25	2
137	017410008	antiturn washer J 8,	2

subassembly survey

4	112 750 150	guide tube complete	1
5	112 750 160	wheel attachment complete	1
6	112 750 110	switch box complete	1