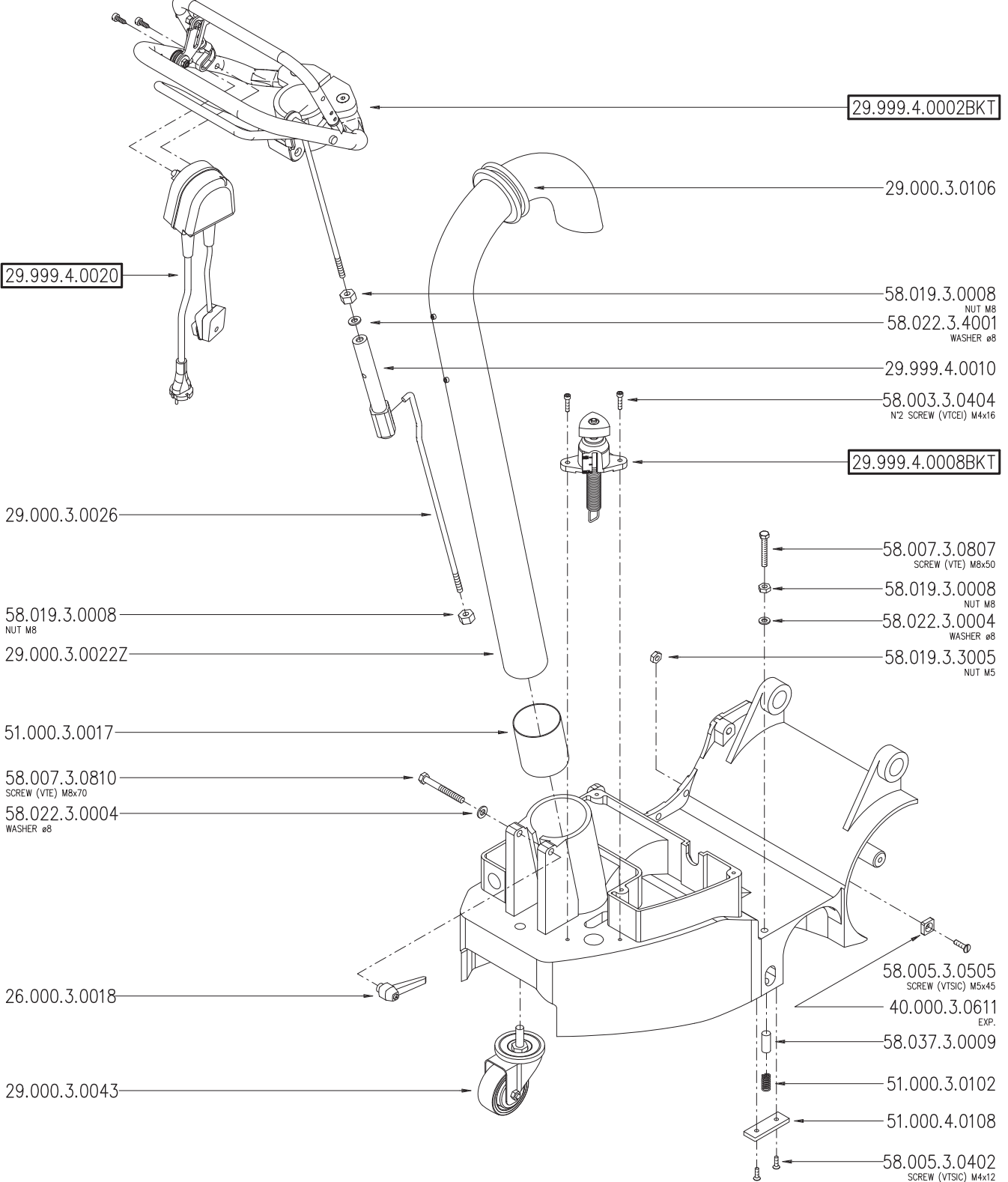


58.009.3.0004
 N°2 SELF-LOCKING SCREW (VTSIC) 4.8x32



Item # & Motor Specification

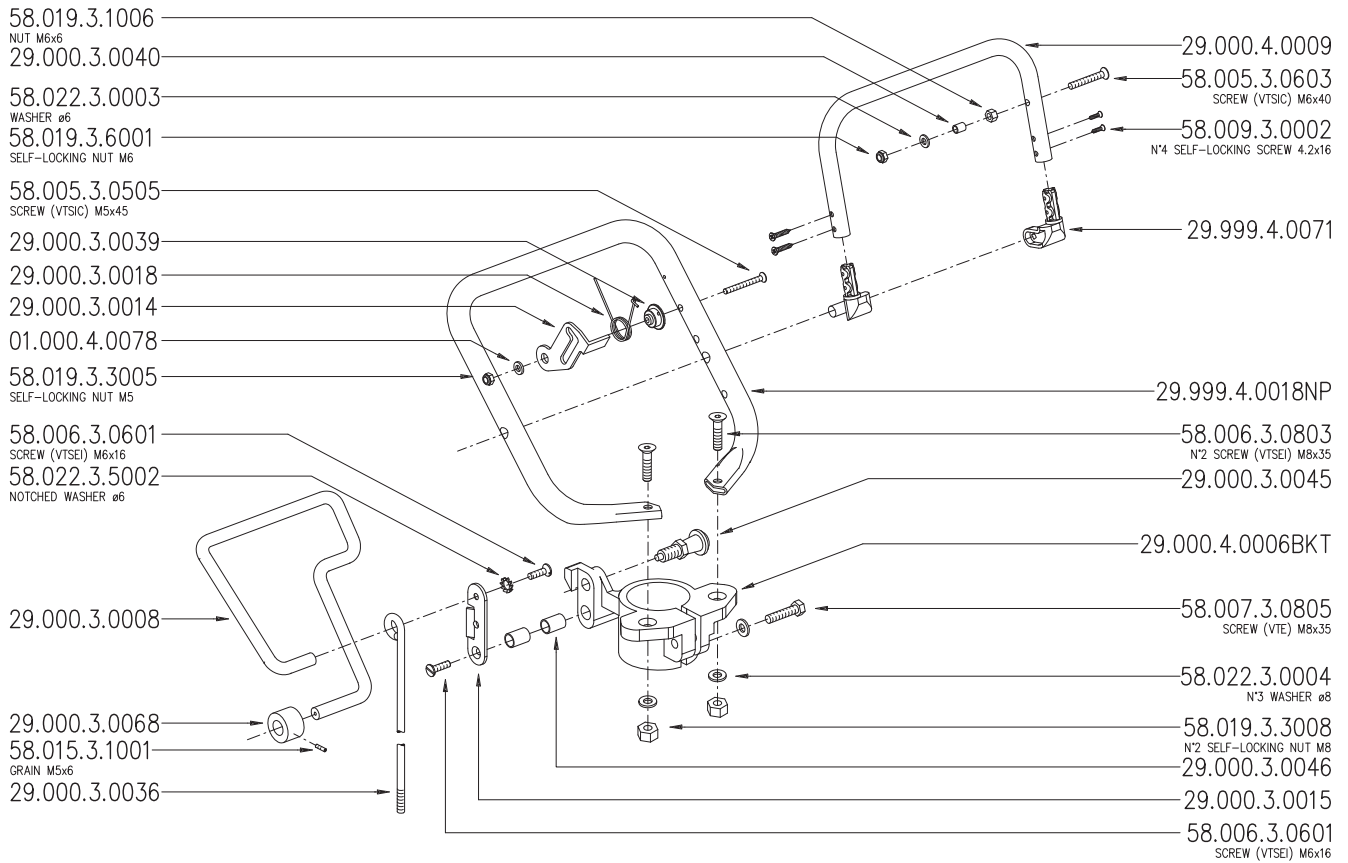
All Part #'s Begin With "ASK"

| | |
|-----------|-------------------|
| AMK180000 | 230V/50Hz, 1.15kW |
| AMK180001 | 240V/50Hz, 1.15kW |
| AMK180011 | 220V/60Hz, 1.15kW |

Bona Scorpion  KÜNZLE & TASIN

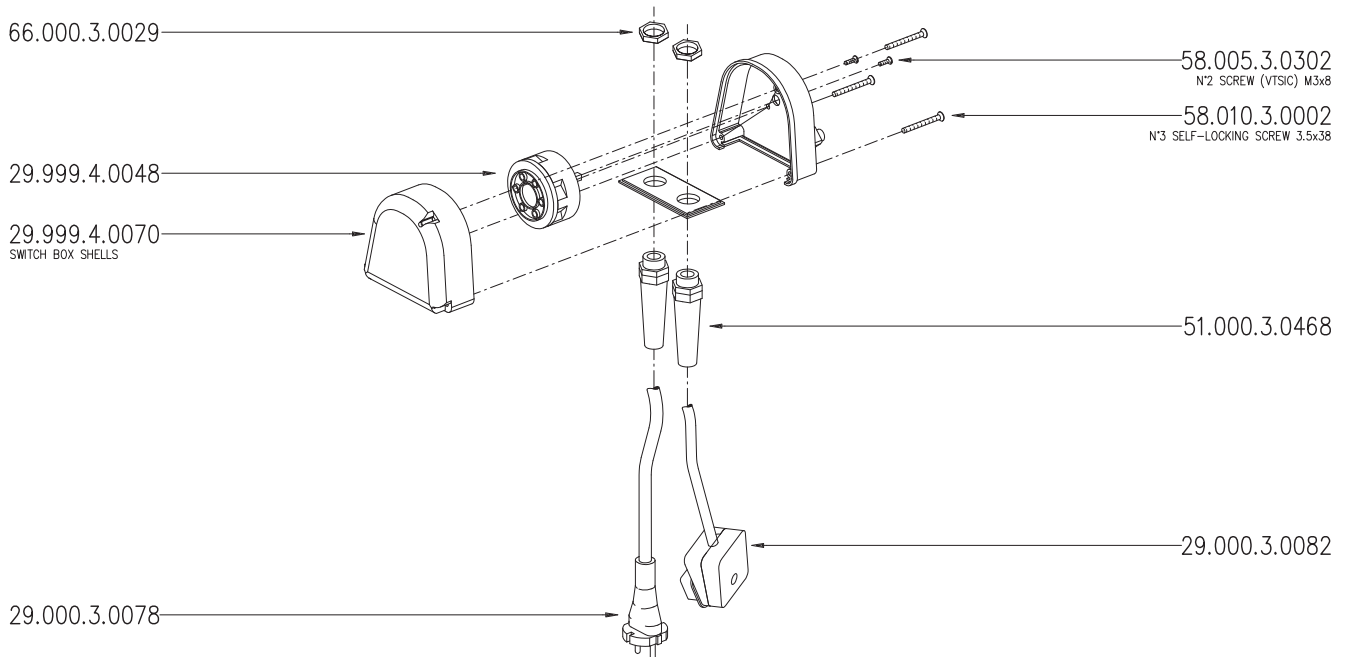
29.999.4.0002BKT

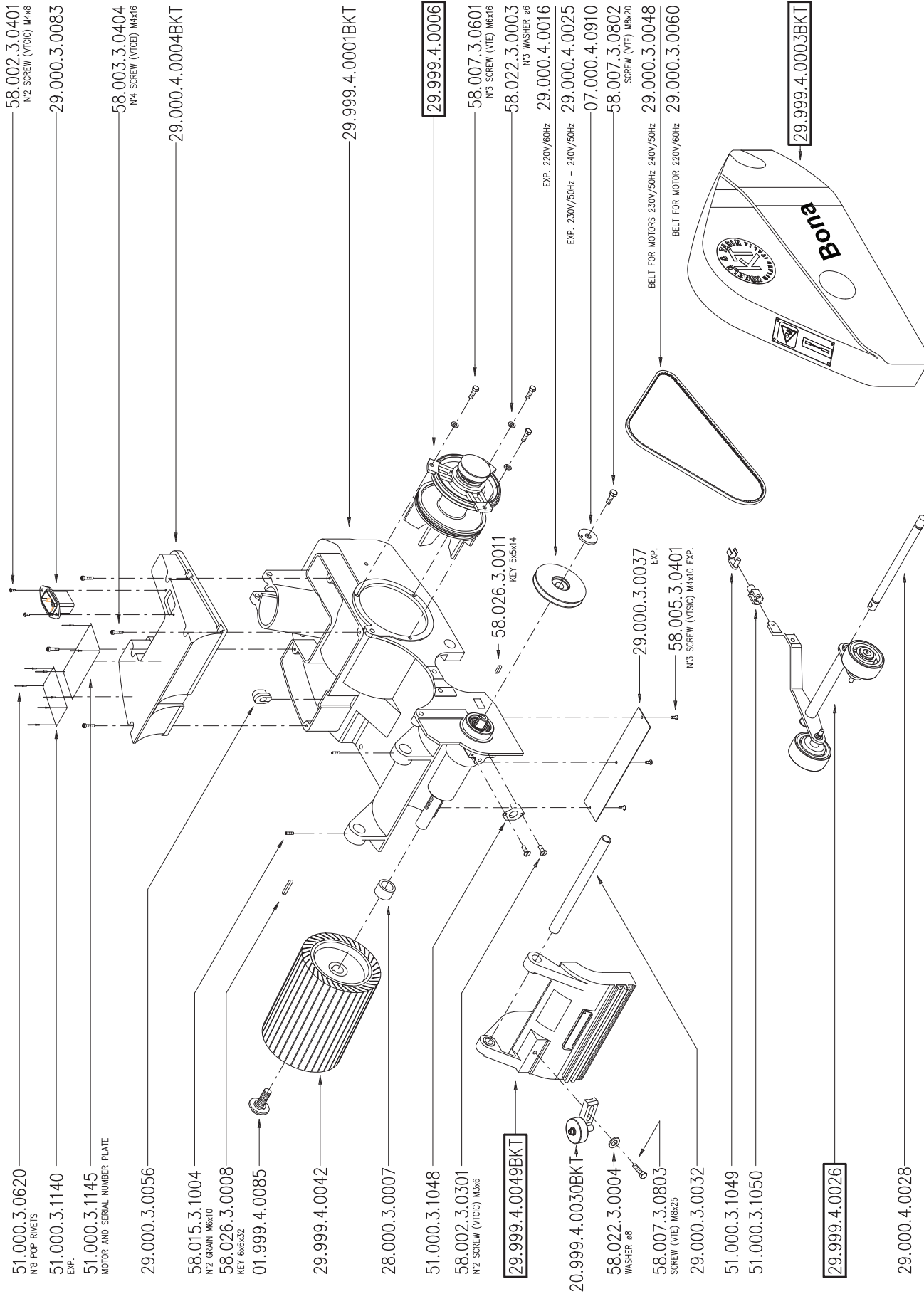
COMPLETE HANDLE GROUP RAL 9006



29.999.4.0020

COMPLETE SWITCH GROUP





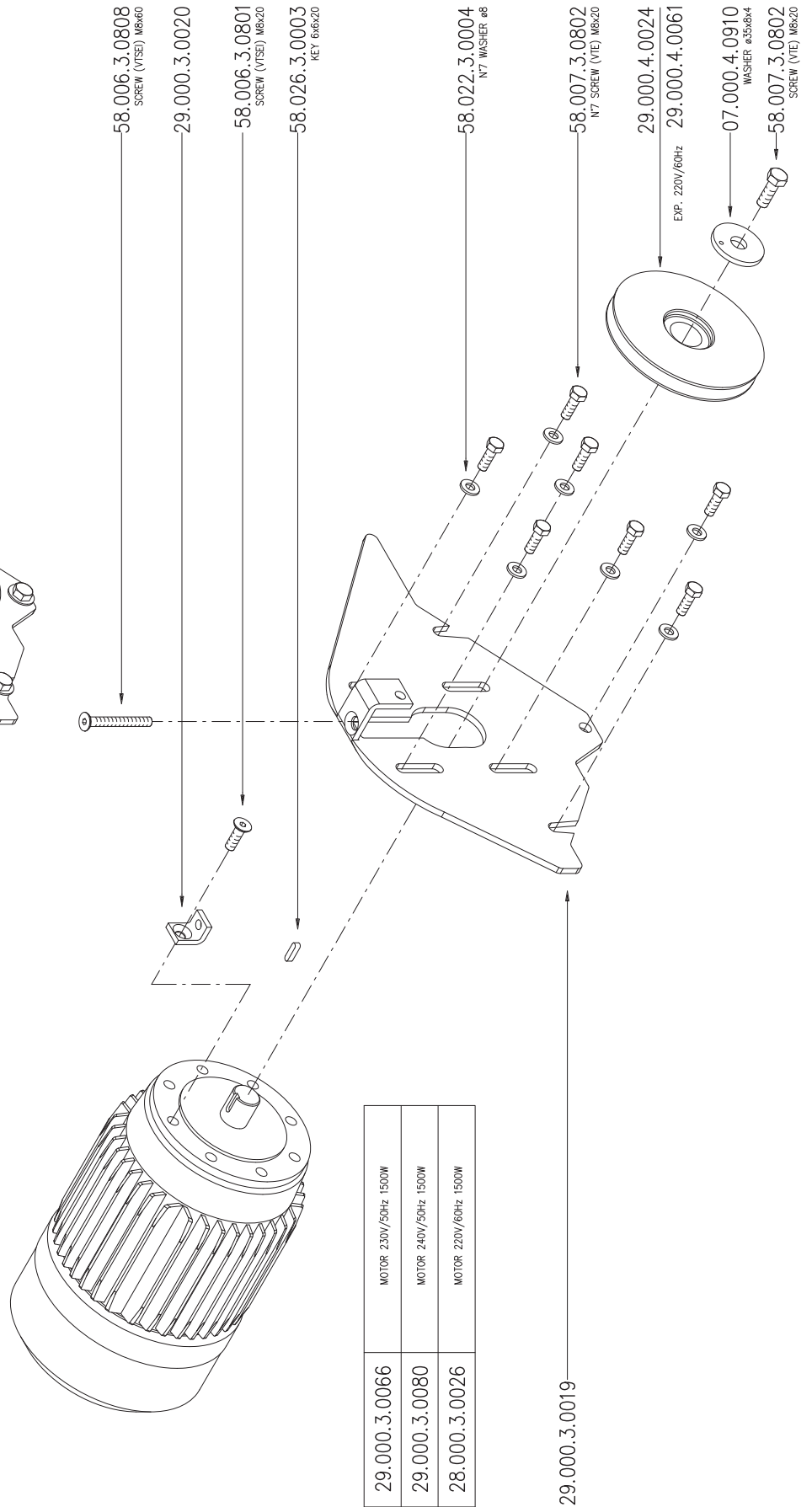
Bona Scorpion



| | |
|---------------|-------------------------------------------|
| 29.999.4.0056 | COMPLETE MOTOR 230V/50Hz 1500W WITH PLATE |
| 29.999.4.0019 | COMPLETE MOTOR 240V/50Hz 1500W WITH PLATE |
| 29.999.4.0039 | COMPLETE MOTOR 220V/60Hz 1500W WITH PLATE |

| | |
|---------------|--------------------------------------|
| 29.000.3.0074 | CAPACITOR 45µf FOR MOTOR 230V/50Hz |
| 40.000.3.2123 | CAPACITOR 31.5µf FOR MOTOR 240V/50Hz |
| 29.000.3.0073 | CAPACITOR 35µf FOR MOTOR 220V/60Hz |

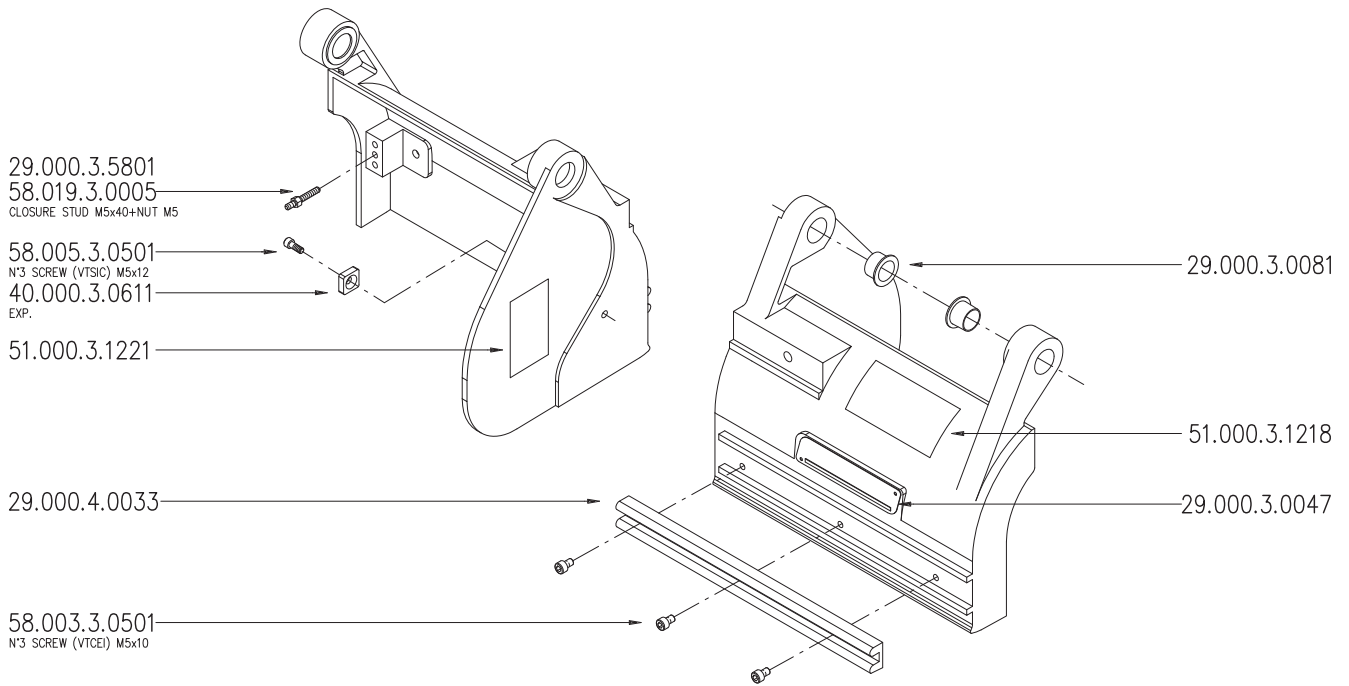
| | |
|---------------|-----------------------|
| 29.000.3.0066 | MOTOR 230V/50Hz 1500W |
| 29.000.3.0080 | MOTOR 240V/50Hz 1500W |
| 28.000.3.0026 | MOTOR 220V/60Hz 1500W |



Bona Scorpion by **KT KÜNZLE & TASIN**

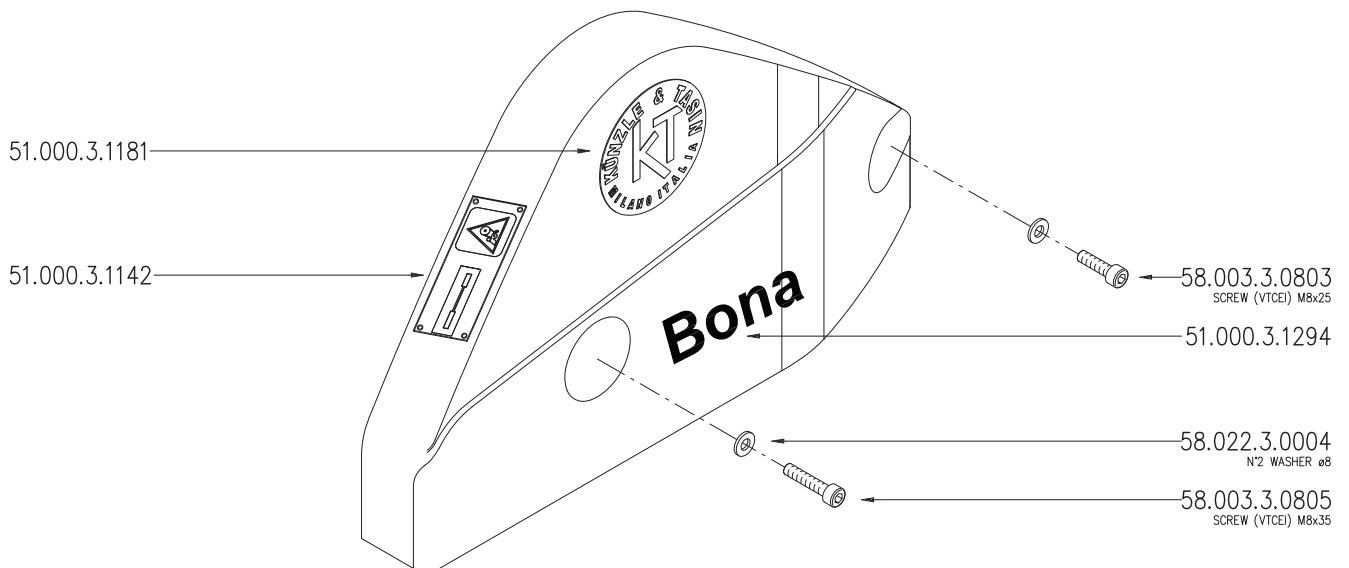
29.999.4.0049BKT

DRUM GUARD GROUP RAL 9006



29.999.4.0003BKT

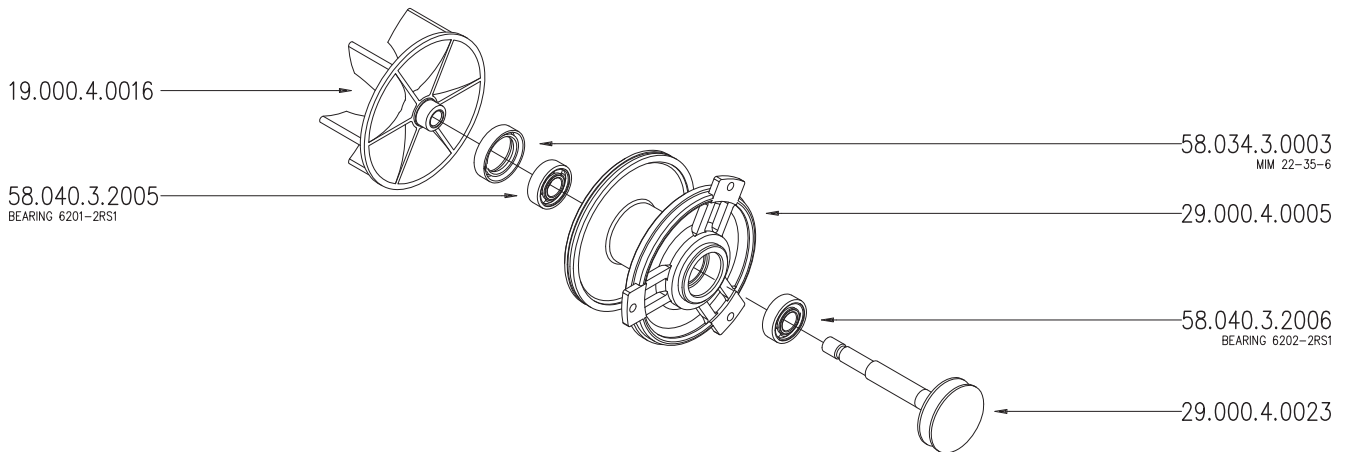
BELT GUARD GROUP RAL 9006



Bona Scorpion by  KÜNZLE & TASIN

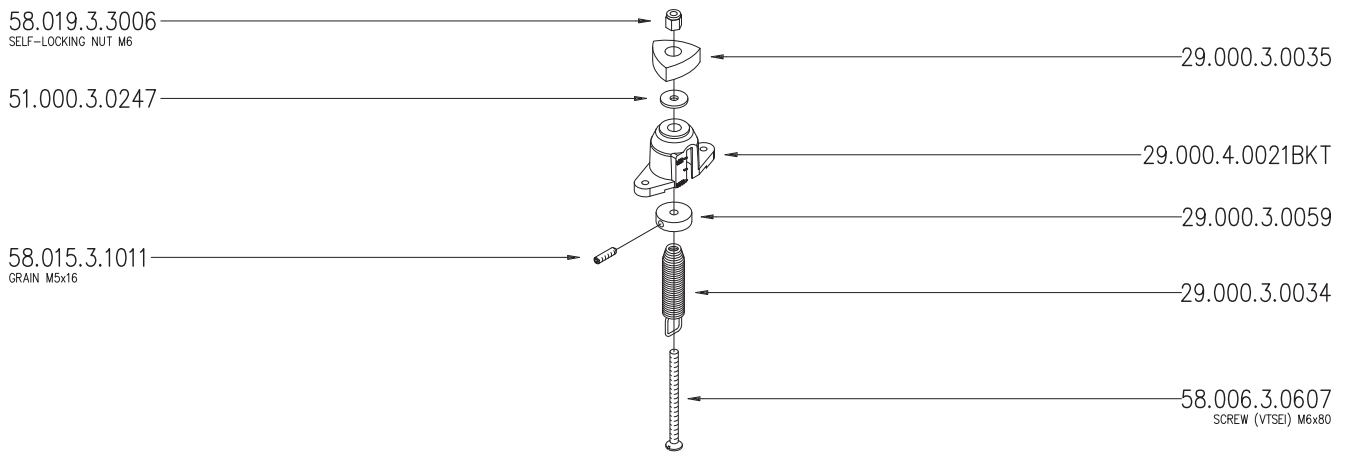
29.999.4.0006

COMPLETE SUCTION FAN GROUP



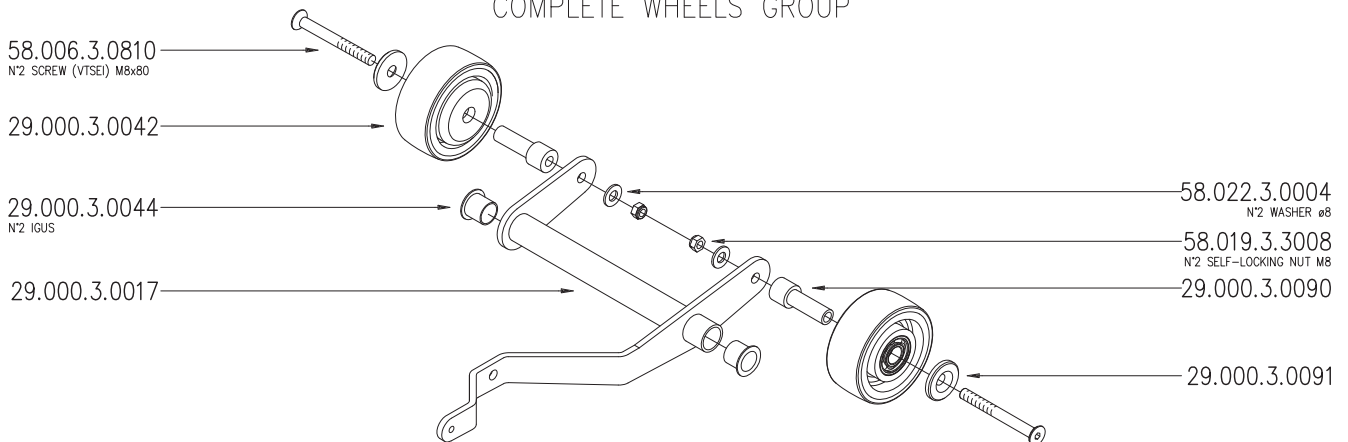
29.999.4.0008BKT

DRUM PRESSURE SETTING GROUP RAL 9006



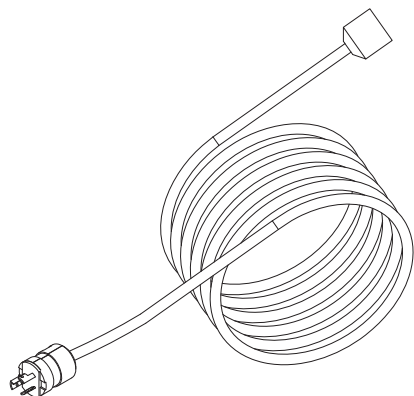
29.999.4.0026

COMPLETE WHEELS GROUP



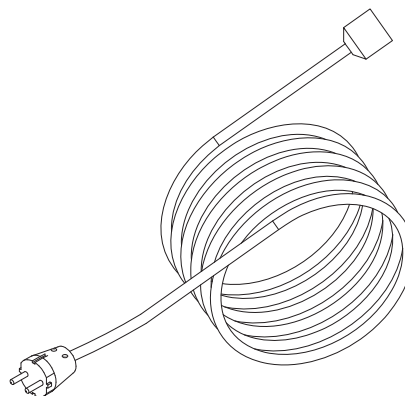
29.000.3.0135

7 MT 3x2,5 MM POWER CABLE
(SCHUKO SOCKET + US PLUG)



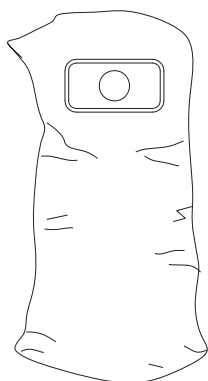
29.000.3.0115

7 MT 3x2,5 MM POWER CABLE
(SCHUKO SOCKET + SCHUKO PLUG)



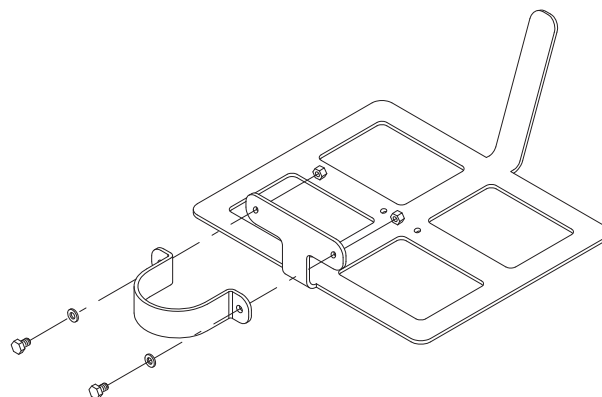
29.000.3.0142

3 PAPER DUST BAGS BLISTER



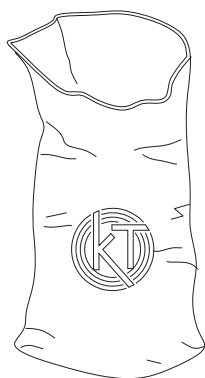
29.999.4.0049

PAPER DUST BAG HOLDER



52.999.4.0170

FABRIC DUST BAG (WITH LOGO)



29.999.4.0009

TOOLBAG

51.000.3.0144
PVC BAG

51.000.3.1021
KEY 10-13

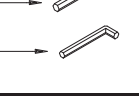
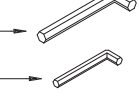
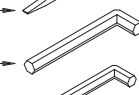
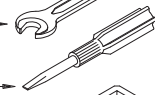
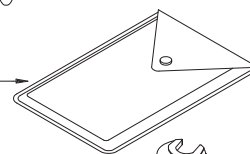
51.000.3.0145
REVERSIBLE SCREWDRIVER

51.000.4.0150
ALLEN WRENCH 12

51.000.3.1085
ALLEN WRENCH 6

02.000.3.0299
ALLEN WRENCH 5

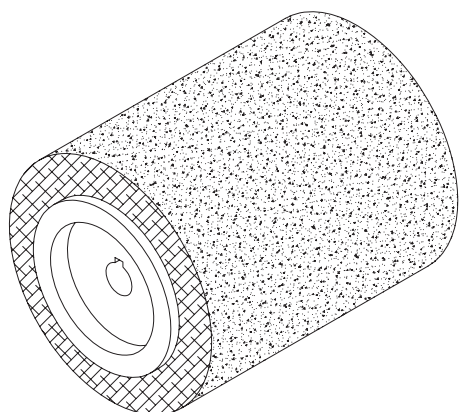
51.000.3.1036
ALLEN WRENCH 3



Bona Scorpion by  KÜNZLE & TASIN

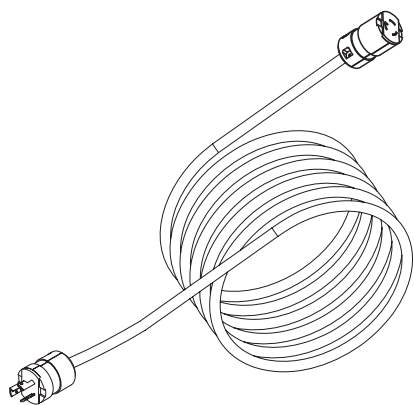
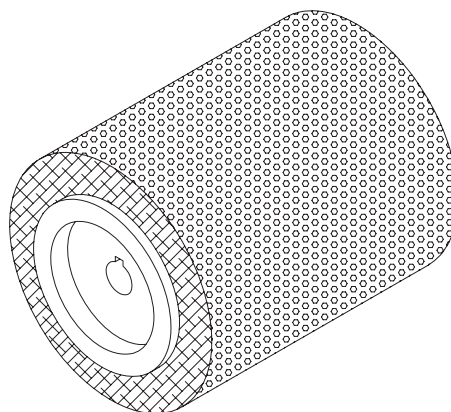
29.999.4.0045

DISTRESSING DRUM
(METAL $\varnothing 0,25$)



29.999.4.0046

DISTRESSING DRUM
(TYNEX GRAIN 80)

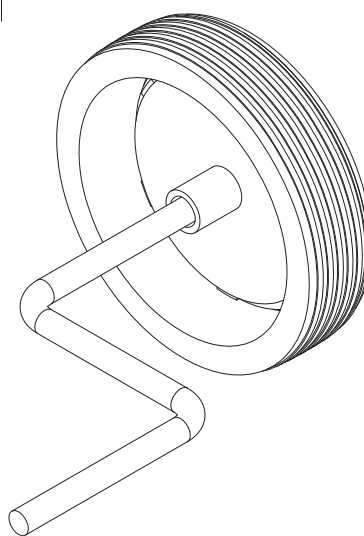
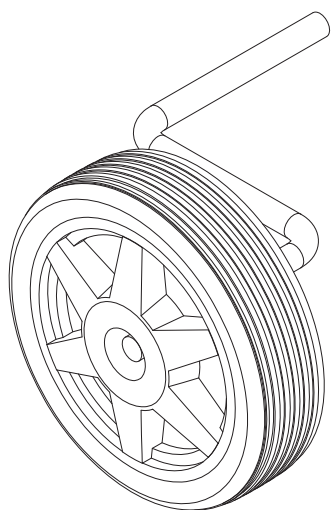


67.999.3.0019

10 MT 3x2,5 POWER CABLE
(USA SOCKET + USA PLUG)
115V/50Hz 115V/60Hz

29.999.4.0024

TRASPORT WHEELS KIT
WHEEL $\varnothing 250$ mm



Bona Scorpion  KÜNZLE & TASIN